

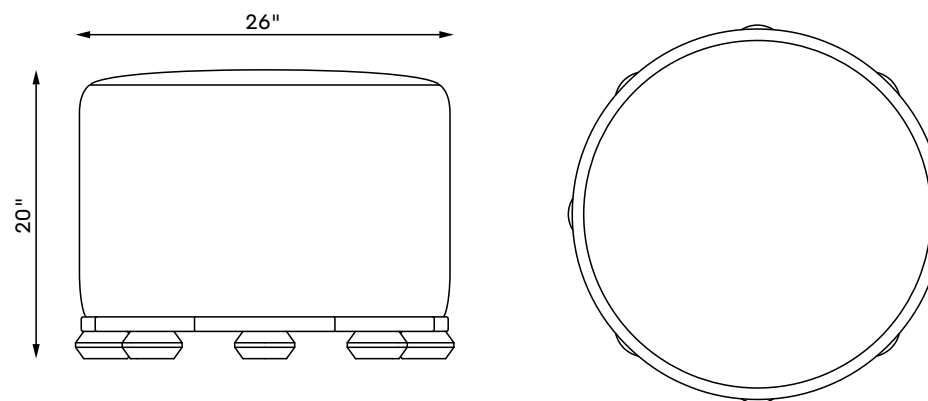


## LULA OTTOMAN

Stylish, functional and meticulously crafted, the Lula Ottoman is sized to be versatile as stand-alone seating or a footrest to pair with a lounge or sofa. The Lula has a solid wood base with eight turned feet and is carefully upholstered in supple leather or COM.

*Shown: Taupe Leather, Kelp Stain on Ash*

AVAILABLE IN A RANGE OF LEATHER UPHOLSTERY COLORS, BASE AVAILABLE IN OUR FULL RANGE OF STAIN FINISHES ON ASH WOOD, OR NATURALLY FINISHED WHITE OAK OR WALNUT  
OVERALL 26"Ø • 20"H



## LULA OTTOMAN

### FABRIC REQUIREMENTS

SOLID: 2 YDS, 54" WIDTH

PATTERNED: 3 YDS, 54" WIDTH

LEATHER: 55 SQF

AVAILABLE IN A RANGE OF LEATHER UPHOLSTERY COLORS, BASE  
AVAILABLE IN OUR FULL RANGE OF STAIN FINISHES ON ASH WOOD, OR  
NATURALLY FINISHED WHITE OAK OR WALNUT  
OVERALL 26"Ø • 20"H